

Bushing Data:

Rated Voltage	420	kV
Phase to-earth Voltage	245	kV
Dry Lightning Impulse I, 2/50µs	1300	kV
Wet Switching Impulse	950	kV
Wet Power frequency AC	580	kV
Routine test I min dry 50Hz	600	kV
Rated Current	2500	A
Creepage Distance	8615	mm
Mass	910	kg

Ordering Data:

BUSHING
 LFI21064 -B / -AB
 COLOUR AIR INSULATOR
 BROWN / LIGHT GREY

OUTER TERMINAL

	H2 (mm)	D2 (mm)
LFI170 073-A Al	125	60
LFI170 073-B Cu	125	60
LFI170 073-G Cu/Ag	125	60

OTHER TYPES ON REQUEST

END-SHIELD

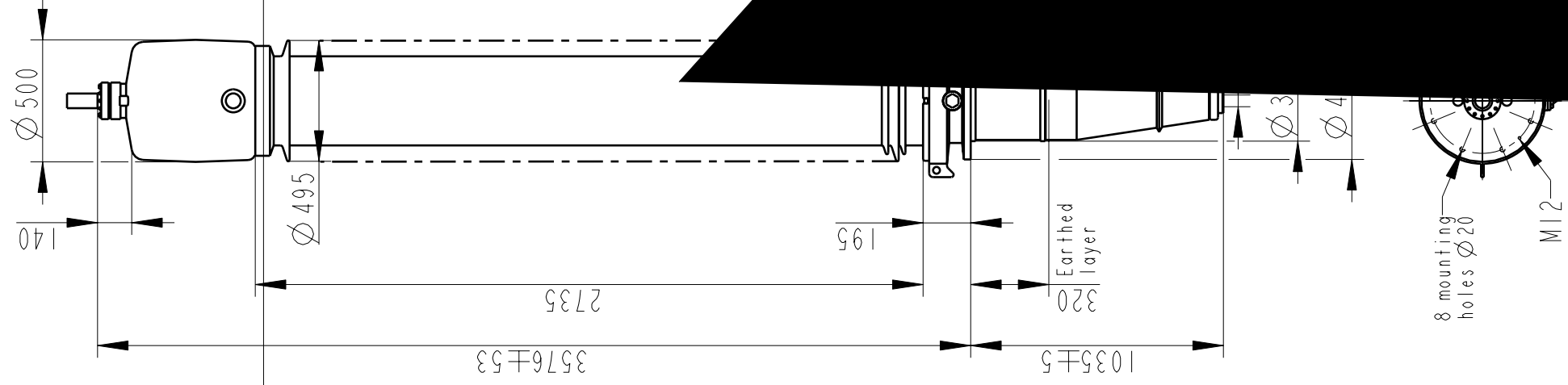
LFI170 046-U EPOXY INSULATED
 LFI170 046-UP INSULATED WITH 3 mm PRESSBOARD

DRAW ROD SYSTEM

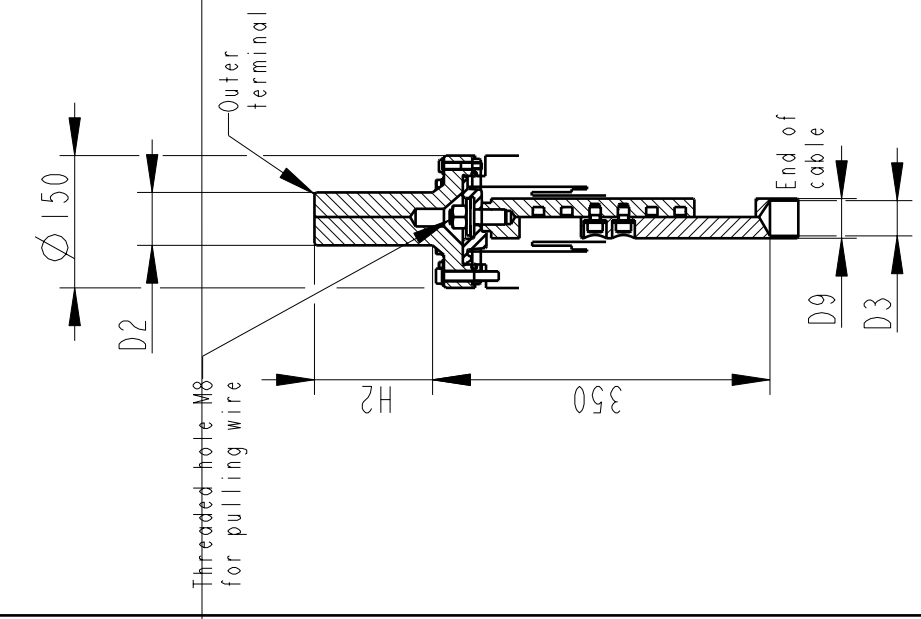
LFI170 059 LOWER DRAW ROD WITH NI=4 OR NI=6
 LFI170 057 UPPER DRAW ROD

TERMINAL

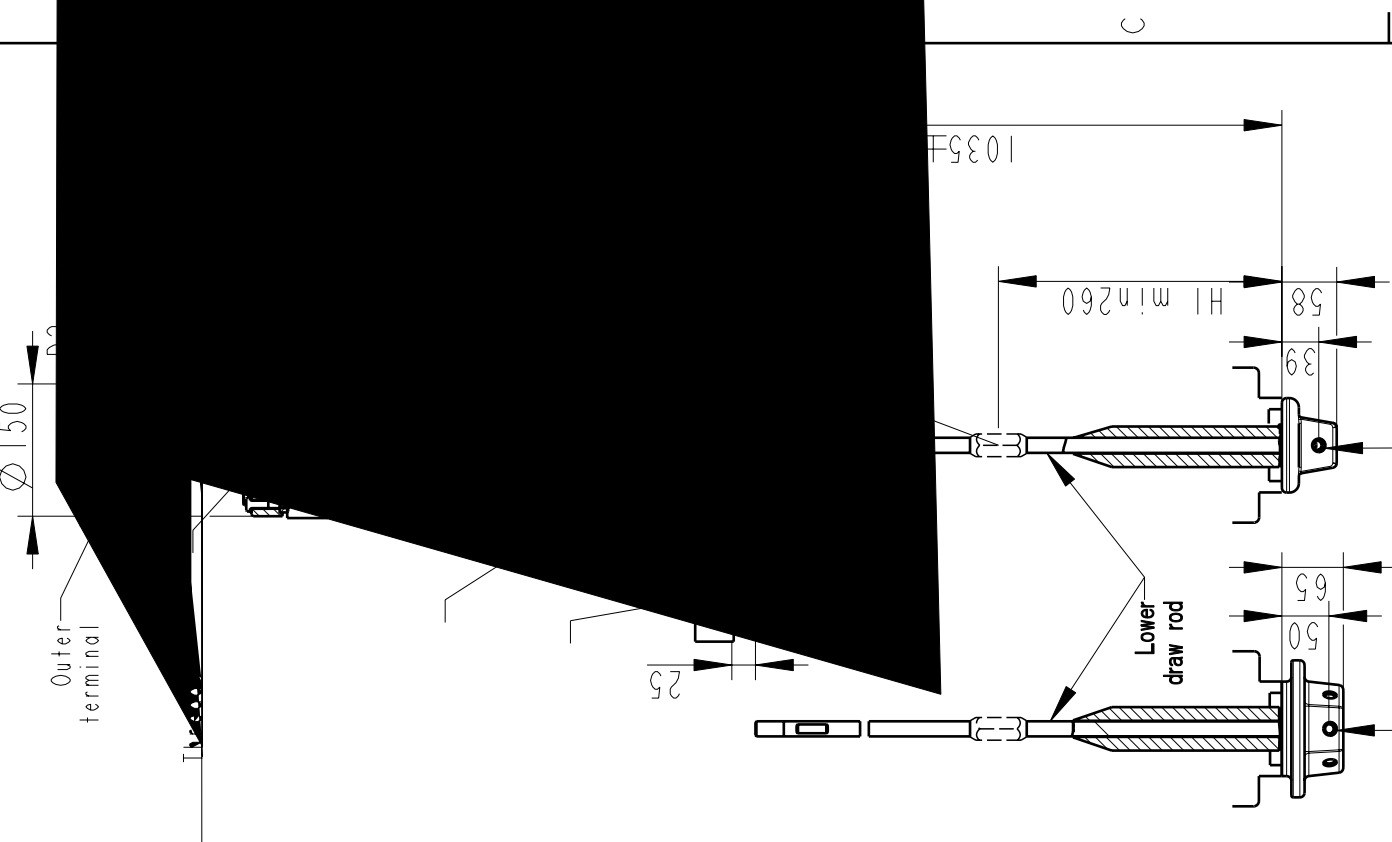
D3 (mm)	D9 (mm)	Cond. area (mm ²)	Current (A)
45	45	-	IEC
45	45	600	1600
			IEEE
			1360



INNER TERMINAL / OUTER TERMINAL

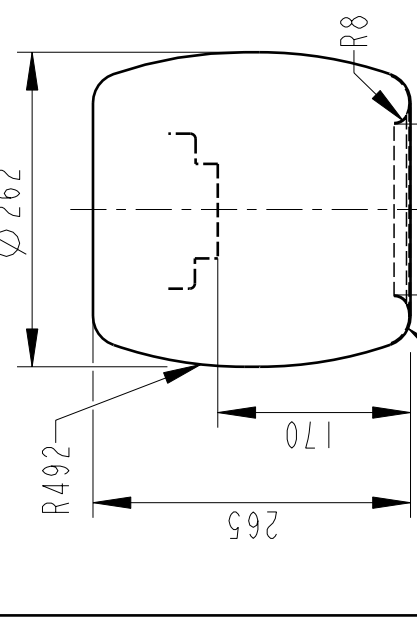


DRAW ROD SYSTEM / OUTER TERMINAL



NI=Number of holes M12, equipped with thread insert with screw lock, depth 20, for cable lugs.

END SHIELD



Based on	Reg. No.	Title
Prepared Lövnord	Responsible department COM/BK 0025	GOE-1300-950-2500-0.3
Approved ANSSON	Take over department Database	Language 82
Engineering review		Page 1(1)
ABB Components		Document No. 2751369-98

We reserve all rights in this document and in the information contained therein. Reproduction, use or disclosure to third parties without express authority is strictly forbidden.
 ©ABB